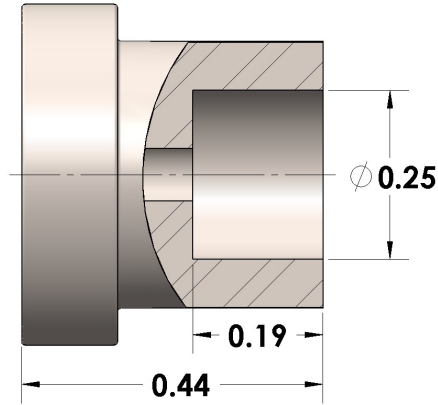


Product Category

949R-04-M

Part Description

Socketweld Tube Tailpiece



DIMENSIONS

GENERAL

Pressure Rating	6000 PSI
Tailpiece Material	Monel®, ASTM B164, UNS N04405