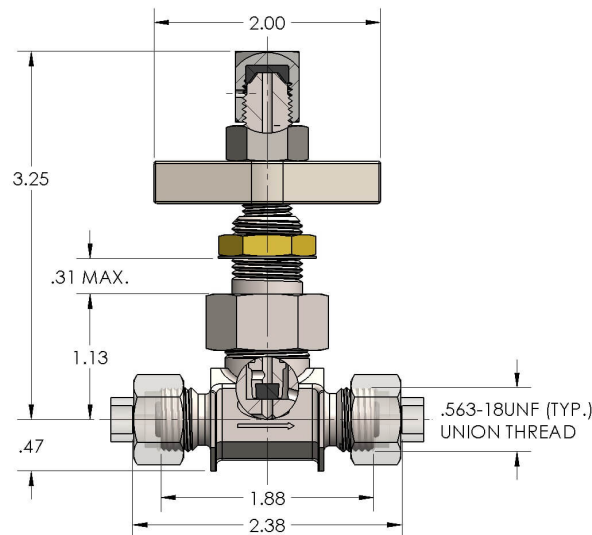




Product Category
Product Line
Part Description

980-UNION-1-SS
Instrument Valves (900 Series)
Globe Instrument Valve with O-ring Face Seal Union Ends



GENERAL

Pressure Rating	6000 PSI
Temperature Range	-15°F to 250°F (-26°C to 121°C)
Standard Soft Goods	Viton® O-Rings
Cartridge Type	Shutoff
Connection Type	O-ring Face Seal Union Thread
Connection Size	1/4" Tube O.D.
Body Material	316/L Stainless Steel, ASTM A182, UNS S31603
Bonnet Material	416 Stainless Steel, ASTM A582, UNS S41600
Approved per	MIL-DTL-24578C

OPTIONS

Optional Soft Goods	Buna-N O-Rings, EPDM O-Rings
----------------------------	------------------------------

The complete catalog contents must be reviewed to ensure that the system designer and user make a safe product selection. When selecting products, the total system design must be considered to ensure safe, trouble-free performance. Function, material compatibility, adequate ratings, proper installation, operation, and maintenance are the responsibilities of the system designer and user. Caution: Do not mix or interchange valve components with those of other manufacturers.