

Product Category

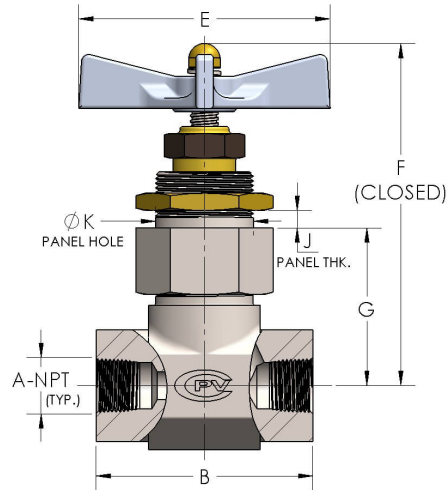
GONGPF-02

Product Line

G-Series® Needle Valve (G-N Series)

Part Description

Globe Shutoff Valve with Female Pipe Thread (NPT) Ends



DIMENSIONS

Orifice	0.218
A-NPT :	1/8"-27
B	2.00
E	3.50
F	4.36
G	1.69
J (max.)	0.25
K	1.2



GENERAL

Pressure Rating	6000 PSI
Temperature Range	-15°F to 400°F (-26°C to 204°C)
Standard Soft Goods	[-G] Polyurethane® Packing and Viton® O-Rings
Cartridge Type	Needle
Connection Type	Female Pipe Thread (NPT)
Connection Size	1/8"
Body Material	316/L Stainless Steel, ASTM A182, UNS S31603
Bonnet Material	316/L Stainless Steel, ASTM A276, UNS S31603

OPTIONS

[-VC] Vacuum Service	Option to add additional softgoods for internal vacuum service.
Optional Soft Goods	[-B] Polyurethane® Packing and Buna-N O-Rings, [-C] Viton® Packing & O-Rings, [-D] EPDM Packing & O-Rings