



Product Category

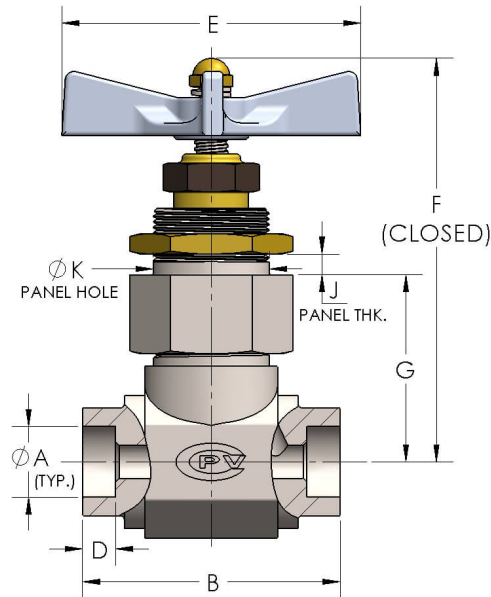
Product Line

Part Description

G0SGPS-02

G-Series® Shutoff Valve (G-S Series)

Globe Shutoff Valve with Socketweld Pipe Ends



DIMENSIONS

| | |
|----------|-------|
| Orifice | 0.218 |
| A (NPS) | 0.405 |
| B | 2.38 |
| D | 0.380 |
| E | 3.50 |
| F | 4.36 |
| G | 1.69 |
| J (max.) | 0.25 |
| K | 1.2 |

GENERAL

| | |
|-------------------|---------------------------------|
| Pressure Rating | 6000 PSI |
| Temperature Range | -15°F to 400°F (-26°C to 204°C) |

| | |
|----------------------------|---|
| Standard Soft Goods | [-G] Polyurethane® Packing and Viton® O-Rings |
| Cartridge Type | Shutoff |
| Connection Type | Socketweld Pipe |
| Connection Size | 1/8" |
| Body Material | 316/L Stainless Steel, ASTM A182, UNS S31603 |
| Bonnet Material | 316/L Stainless Steel, ASTM A276, UNS S31603 |

OPTIONS

| | |
|-----------------------------|---|
| [-VC] Vacuum Service | Option to add additional softgoods for internal vacuum service. |
| Optional Soft Goods | [-B] Polyurethane® Packing and Buna-N O-Rings, [-C] Viton® Packing & O-Rings, [-D] EPDM Packing & O-Rings |

cpvmfg.com | 484.731.4010

The complete catalog contents must be reviewed to ensure that the system designer and user make a safe product selection. When selecting products, the total system design must be considered to ensure safe, trouble-free performance. Function, material compatibility, adequate ratings, proper installation, operation, and maintenance are the responsibilities of the system designer and user. Caution: Do not mix or interchange valve components with those of other manufacturers.