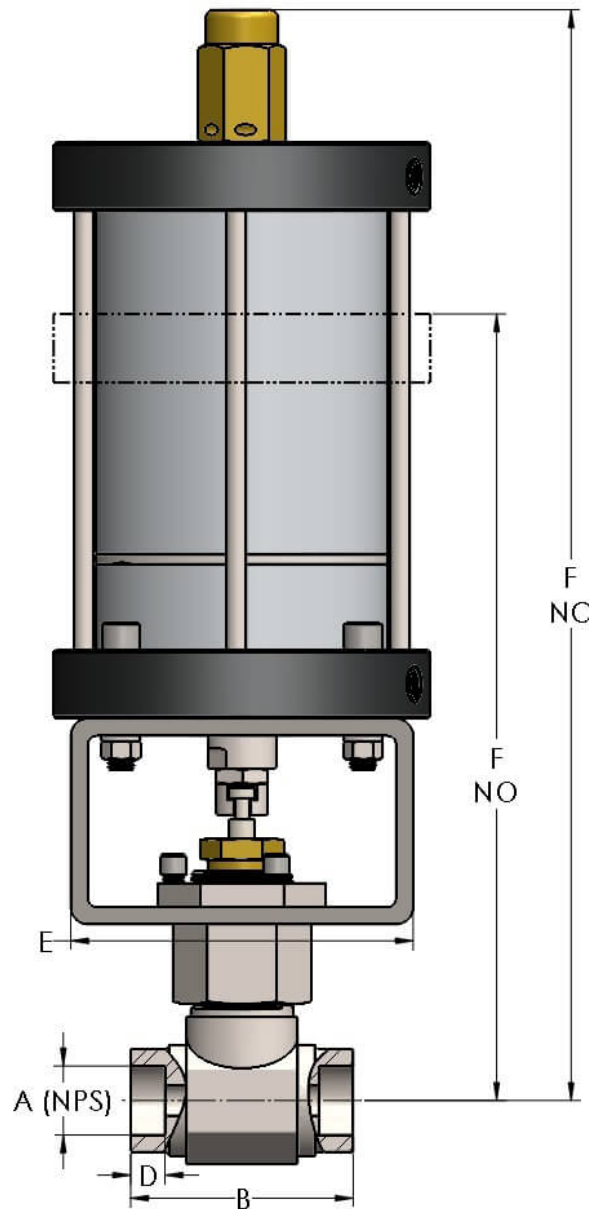




Product Category
Product Line
Part Description

G5SGPS-20-NC
FloMaster® Actuated G-Series® Shutoff Valves (G-S Series)
Globe Shutoff Actuated Valve, Socketweld Pipe Ends, Normally Closed



DIMENSIONS

Orifice

0.813

A (NPS)	1.660
B	4.75
D	0.500
E	6.00
F (Normally Open)	13.38
F (Normally Closed)	19.25

GENERAL

Pressure Rating	4500 PSI
Temperature Range	-15°F to 400°F (-26°C to 204°C)
Standard Soft Goods	[-G] Polyurethane® Packing and Viton® O-Rings
Cartridge Type	Shutoff
Connection Type	Socketweld Pipe
Connection Size	1.25"
Body Material	316/L Stainless Steel, ASTM A182, UNS S31603
Bonnet Material	316/L Stainless Steel, ASTM A276, UNS S31603

OPTIONS

[-VC] Vacuum Service	Option to add additional softgoods for internal vacuum service.
Optional Soft Goods	[-B] Polyurethane® Packing and Buna-N O-Rings, [-C] Viton® Packing & O-Rings, [-D] EPDM Packing & O-Rings