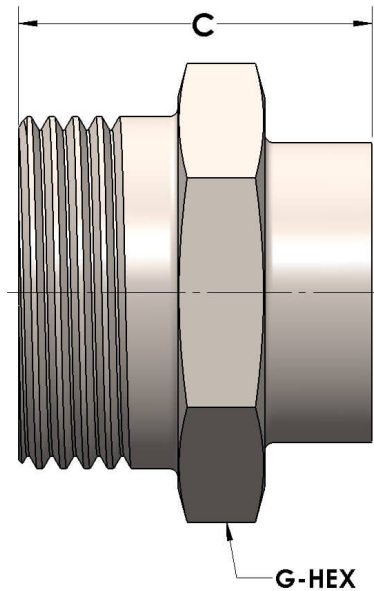




Product Category
Part Description

H804T-20-S
Blank Threadpiece



DIMENSIONS

| | |
|-------|------|
| C | 1.44 |
| G-HEX | 1.88 |

GENERAL

| | |
|----------------------|--|
| Pressure Rating | 6000 PSI |
| Threadpiece Material | Carbon Steel, ASTM A108 |
| O-Ring Material | Viton® Fluorocarbon Type 1, Class 2 (90 durometer) |

cpvmfg.com | 484.731.4010

The complete catalog contents must be reviewed to ensure that the system designer and user make a safe product selection. When selecting products, the total system design must be considered to ensure safe, trouble-free performance. Function, material compatibility, adequate ratings, proper installation, operation, and maintenance are the responsibilities of the system designer and user. Caution: Do not mix or interchange valve components with those of other manufacturers.