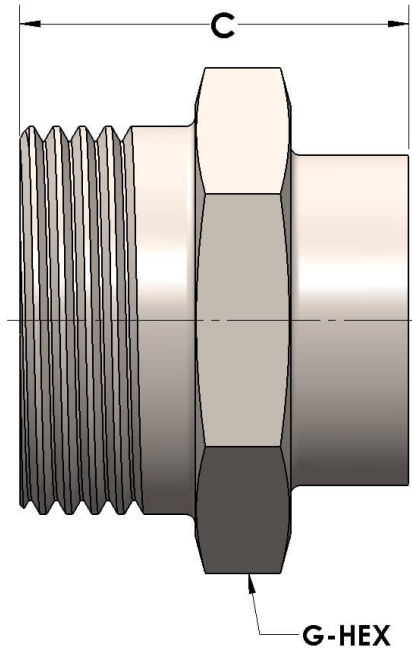


Product Category

H804T-32-SS316L

Part Description

Blank Threadpiece



## DIMENSIONS

<b>C</b>	1.94
<b>G-HEX</b>	3

## GENERAL

<b>Pressure Rating</b>	6000 PSI
<b>Threadpiece Material</b>	316/L Stainless Steel, ASTM A276, UNS S31600/03
<b>O-Ring Material</b>	Viton® Fluorocarbon Type 1, Class 2 (90 durometer)