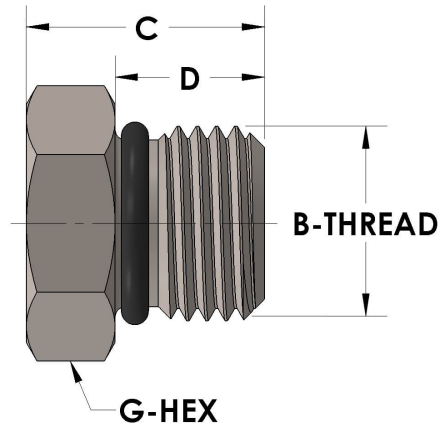


Product Category

H805-08-M

Part Description

Straight Thread Plug



## DIMENSIONS

<b>B-THREAD</b>	.750" - 16UNF
<b>C</b>	0.75
<b>D</b>	0.470
<b>G-HEX</b>	0.88

## GENERAL

<b>Pressure Rating</b>	6000 PSI
<b>Threadpiece Material</b>	Monel®, ASTM B164, UNS N04405
<b>O-Ring Material</b>	Viton® Fluorocarbon Type 1, Class 2 (90 durometer)