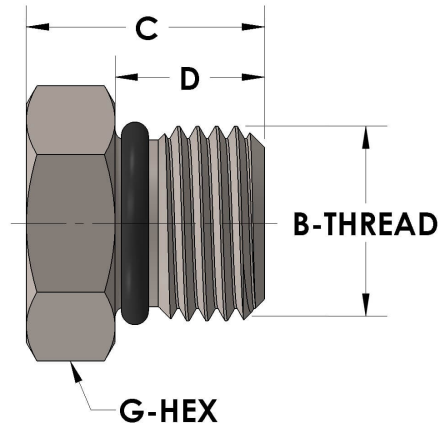


Product Category

H805-10-S

Part Description

Straight Thread Plug



DIMENSIONS

B-THREAD	.875" - 14UNF
C	0.81
D	0.530
G-HEX	1

GENERAL

Pressure Rating	6000 PSI
Threadpiece Material	Carbon Steel, ASTM A108
O-Ring Material	Viton® Fluorocarbon Type 1, Class 2 (90 durometer)