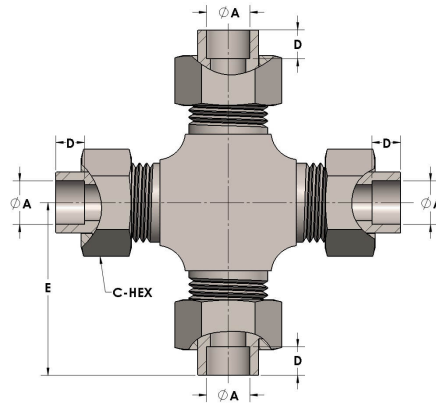


Product Category

H809-10-SS316L

Part Description

Socketweld/braze Tube Cross Assembly



## DIMENSIONS

|       |       |
|-------|-------|
| A     | 0.630 |
| C-HEX | 1.13  |
| D     | 0.380 |
| E     | 2.06  |

## GENERAL

|                   |  |
|-------------------|--|
| Pressure Rating   | 4500 PSI   |
| Assembly Material | 316/L Stainless Steel, ASTM A276, UNS S31600/03    |
| O-Ring Material   | Viton® Fluorocarbon Type 1, Class 2 (90 durometer) |
| Connection 1 Type | Female Tube Socket                                 |
| Connection 1 Size | 5/8" Tube O.D. (-10)                               |
| Connection 2 Type | Female Tube Socket                                 |
| Connection 2 Size | 5/8" Tube O.D. (-10)                               |
| Connection 3 Type | Female Tube Socket                                 |
| Connection 3 Size | 5/8" Tube O.D. (-10)                               |
| Connection 4 Type | Female Tube Socket                                 |
| Connection 4 Size | 5/8" Tube O.D. (-10)                               |