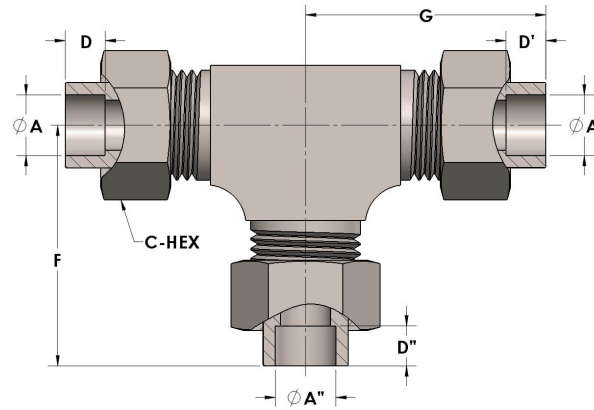




Product Category
Part Description

H810-04-04-02-S
Socketweld/braze Tube Tee Assembly



DIMENSIONS

A	0.250
A''	0.250
A'''	0.130
C-HEX	0.63
D	0.190
D''	0.190
D'''	0.190
F	1.19
G	1.19

GENERAL

Pressure Rating	6000 PSI
Assembly Material	Carbon Steel, ASTM A108
O-Ring Material	Viton® Fluorocarbon Type 1, Class 2 (90 durometer)
Connection 1 Type	Female Tube Socket
Connection 1 Size	1/4" Tube O.D. (-04)
Connection 2 Type	Female Tube Socket
Connection 2 Size	1/4" Tube O.D. (-04)
Connection 3 Type	Female Tube Socket

The complete catalog contents must be reviewed to ensure that the system designer and user make a safe product selection. When selecting products, the total system design must be considered to ensure safe, trouble-free performance. Function, material compatibility, adequate ratings, proper installation, operation, and maintenance are the responsibilities of the system designer and user. Caution: Do not mix or interchange valve components with those of other manufacturers.