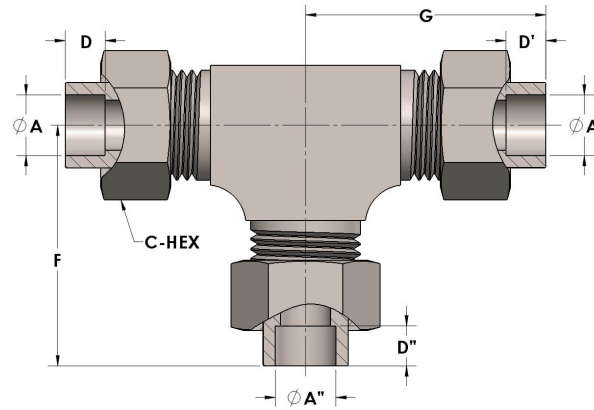




Product Category
Part Description

H810-16-16-12-M
Socketweld/braze Tube Tee Assembly



DIMENSIONS

A	1.000
A''	1.000
A'''	0.750
C-HEX	1.63
D	0.500
D''	0.500
D'''	0.440
F	2.75
G	2.75

GENERAL

Pressure Rating	6000 PSI
Tailpiece Material	Monel®, ASTM B164, UNS N04405
Threadpiece Material	Monel®, ASTM B564, UNS N04400
O-Ring Material	Viton® Fluorocarbon Type 1, Class 2 (90 durometer)
Connection 1 Type	Female Tube Socket
Connection 1 Size	1" Tube O.D. (-16)
Connection 2 Type	Female Tube Socket
Connection 2 Size	1" Tube O.D. (-16)

Connection 3 Type	Female Tube Socket
Connection 3 Size	3/4" Tube O.D. (-12)

The complete catalog contents must be reviewed to ensure that the system designer and user make a safe product selection. When selecting products, the total system design must be considered to ensure safe, trouble-free performance. Function, material compatibility, adequate ratings, proper installation, operation, and maintenance are the responsibilities of the system designer and user. Caution: Do not mix or interchange valve components with those of other manufacturers.