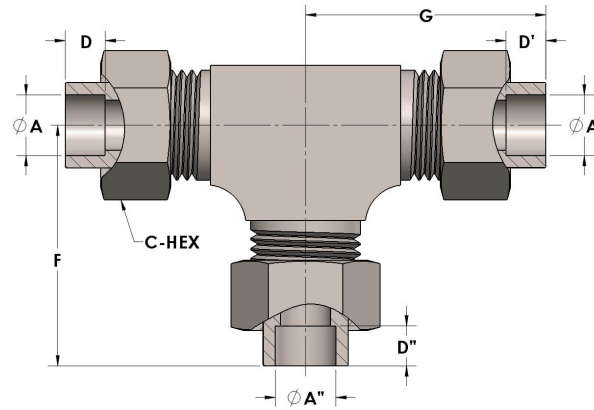




Product Category
Part Description

H810-20-20-16-M
Socketweld/braze Tube Tee Assembly



DIMENSIONS

| | |
|-------|-------|
| A | 1.250 |
| A'' | 1.250 |
| A''' | 1.000 |
| C-HEX | 2 |
| D | 0.560 |
| D'' | 0.560 |
| D''' | 0.500 |
| F | 3.06 |
| G | 3.06 |

GENERAL

| | |
|----------------------|--|
| Pressure Rating | 4500 PSI |
| Tailpiece Material | Monel®, ASTM B164, UNS N04405 |
| Threadpiece Material | Monel®, ASTM B564, UNS N04400 |
| O-Ring Material | Viton® Fluorocarbon Type 1, Class 2 (90 durometer) |
| Connection 1 Type | Female Tube Socket |
| Connection 1 Size | 1.25" Tube O.D. (-20) |
| Connection 2 Type | Female Tube Socket |
| Connection 2 Size | 1.25" Tube O.D. (-20) |

| | |
|--------------------------|--------------------|
| Connection 3 Type | Female Tube Socket |
| Connection 3 Size | 1" Tube O.D. (-20) |

The complete catalog contents must be reviewed to ensure that the system designer and user make a safe product selection. When selecting products, the total system design must be considered to ensure safe, trouble-free performance. Function, material compatibility, adequate ratings, proper installation, operation, and maintenance are the responsibilities of the system designer and user. Caution: Do not mix or interchange valve components with those of other manufacturers.