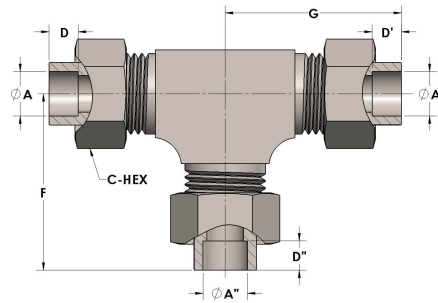


Product Category

H810-20-20-16-S

Part Description

Socketweld/braze Tube Tee Assembly



DIMENSIONS

A	1.250
A'	1.250
A''	1.000
C-HEX	2
D	0.560
D'	0.560
D''	0.500
F	3.06
G	3.06



GENERAL

Pressure Rating	3000 PSI
Assembly Material	Carbon Steel, ASTM A108
O-Ring Material	Viton® Fluorocarbon Type 1, Class 2 (90 durometer)
Connection 1 Type	Female Tube Socket
Connection 1 Size	1.25" Tube O.D. (-20)
Connection 2 Type	Female Tube Socket
Connection 2 Size	1.25" Tube O.D. (-20)
Connection 3 Type	Female Tube Socket
Connection 3 Size	1" Tube O.D. (-20)