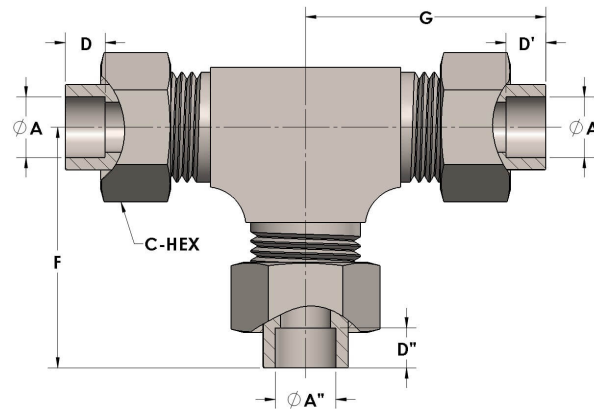




Product Category  
Part Description

H810-20-M  
Socketweld/braze Tube Tee Assembly



## DIMENSIONS

A	1.250
A''	1.250
A'''	1.250
C-HEX	2
D	0.560
D''	0.560
D'''	0.560
F	3.06
G	3.06

## GENERAL

Pressure Rating	4500 PSI
Tailpiece Material	Monel®, ASTM B164, UNS N04405
Threadpiece Material	Monel®, ASTM B564, UNS N04400
O-Ring Material	Viton® Fluorocarbon Type 1, Class 2 (90 durometer)
Connection 1 Type	Female Tube Socket
Connection 1 Size	1.25" Tube O.D. (-20)
Connection 2 Type	Female Tube Socket
Connection 2 Size	1.25" Tube O.D. (-20)

<b>Connection 3 Type</b>	Female Tube Socket
<b>Connection 3 Size</b>	1.25" Tube O.D. (-20)

The complete catalog contents must be reviewed to ensure that the system designer and user make a safe product selection. When selecting products, the total system design must be considered to ensure safe, trouble-free performance. Function, material compatibility, adequate ratings, proper installation, operation, and maintenance are the responsibilities of the system designer and user. Caution: Do not mix or interchange valve components with those of other manufacturers.