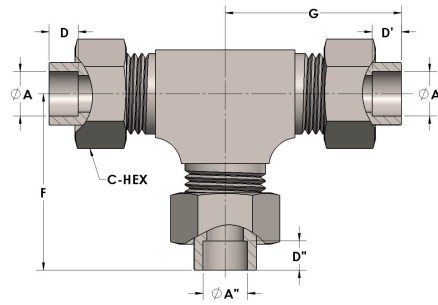


Product Category

H810-20-S

Part Description

Socketweld/braze Tube Tee Assembly



## DIMENSIONS

A	1.250
A'	1.250
A''	1.250
C-HEX	2
D	0.560
D'	0.560
D''	0.560
F	3.06
G	3.06



## GENERAL

<b>Pressure Rating</b>	3000 PSI
<b>Assembly Material</b>	Carbon Steel, ASTM A108
<b>O-Ring Material</b>	Viton® Fluorocarbon Type 1, Class 2 (90 durometer)
<b>Connection 1 Type</b>	Female Tube Socket
<b>Connection 1 Size</b>	1.25" Tube O.D. (-20)
<b>Connection 2 Type</b>	Female Tube Socket
<b>Connection 2 Size</b>	1.25" Tube O.D. (-20)
<b>Connection 3 Type</b>	Female Tube Socket
<b>Connection 3 Size</b>	1.25" Tube O.D. (-20)