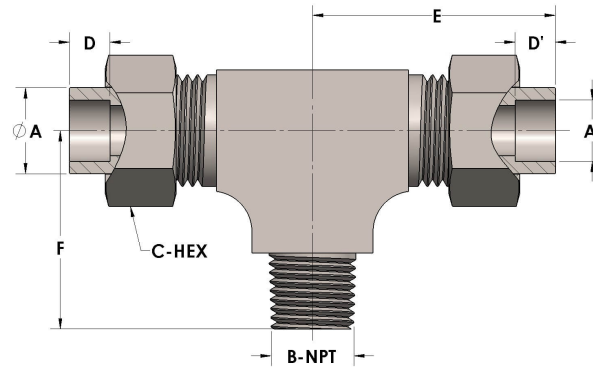




**Product Category**  
**Part Description**

H811-16-16-16-SS316L  
Tube to Male Pipe Thread Branch Tee Assembly



## DIMENSIONS

A	1.000
A"	1.000
B-NPT	1.000" - 11.5
C-HEX	1.63
D	0.500
D"	0.500
E	2.75
F	1.94

## GENERAL

Pressure Rating	4500 PSI
Assembly Material	316/L Stainless Steel, ASTM A276, UNS S31600/03
O-Ring Material	Viton® Fluorocarbon Type 1, Class 2 (90 durometer)
Connection 1 Type	Female Tube Socket
Connection 1 Size	1" Tube O.D. (-16)
Connection 2 Type	Female Tube Socket
Connection 2 Size	1" Tube O.D. (-16)

The complete catalog contents must be reviewed to ensure that the system designer and user make a safe product selection. When selecting products, the total system design must be considered to ensure safe, trouble-free performance. Function, material compatibility, adequate ratings, proper installation, operation, and maintenance are the responsibilities of the system designer and user. Caution: Do not mix or interchange valve components with those of other manufacturers.