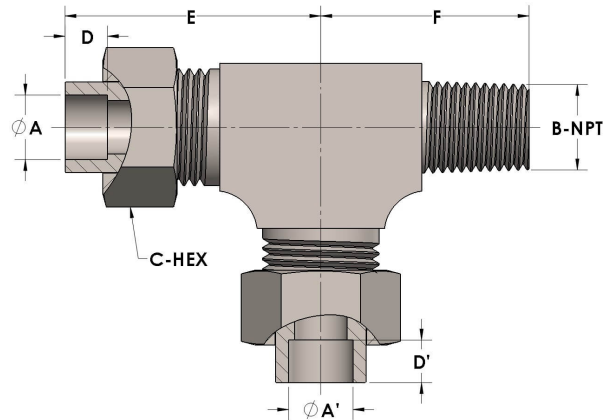




**Product Category**  
**Part Description**

H812-08-06-08-M  
Tube to Male Pipe Thread Run Tee Assembly



## DIMENSIONS

A	0.500
A"	0.500
B-NPT	3/8" - 18
C-HEX	0.94
D	0.310
D"	0.310
E	1.69
F	1.19

## GENERAL

<b>Pressure Rating</b>	4500 PSI
<b>Tailpiece Material</b>	Monel®, ASTM B164, UNS N04405
<b>Threadpiece Material</b>	Monel®, ASTM B564, UNS N04400
<b>O-Ring Material</b>	Viton® Fluorocarbon Type 1, Class 2 (90 durometer)
<b>Connection 1 Type</b>	Female Tube Socket
<b>Connection 1 Size</b>	1/2" Tube O.D. (-08)
<b>Connection 3 Type</b>	Female Tube Socket
<b>Connection 3 Size</b>	1/2" Tube O.D. (-08)

The complete catalog contents must be reviewed to ensure that the system designer and user make a safe product selection. When selecting products, the total system design must be considered to ensure safe, trouble-free performance. Function, material compatibility, adequate ratings, proper installation, operation, and maintenance are the responsibilities of the system designer and user. Caution: Do not mix or interchange valve components with those of other manufacturers.