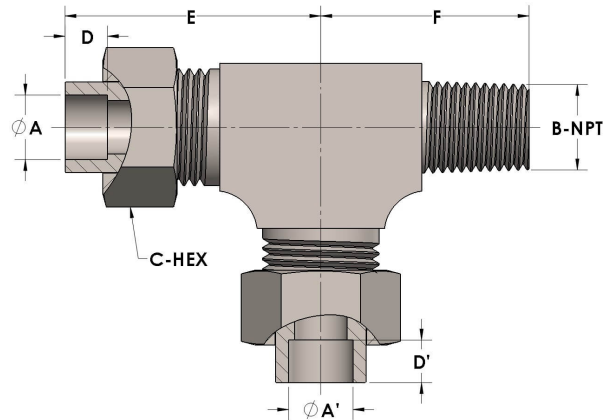




**Product Category**  
**Part Description**

H812-20-20-20-SS316L  
Tube to Male Pipe Thread Run Tee Assembly



## DIMENSIONS

A	1.250
A"	1.250
B-NPT	1.250" - 11.5
C-HEX	2
D	0.560
D"	0.560
E	3.06
F	2.19

## GENERAL

Pressure Rating	3000 PSI
Assembly Material	316/L Stainless Steel, ASTM A276, UNS S31600/03
O-Ring Material	Viton® Fluorocarbon Type 1, Class 2 (90 durometer)
Connection 1 Type	Female Tube Socket
Connection 1 Size	1.25" Tube O.D. (-20)
Connection 3 Type	Female Tube Socket
Connection 3 Size	1.25" Tube O.D. (-20)

The complete catalog contents must be reviewed to ensure that the system designer and user make a safe product selection. When selecting products, the total system design must be considered to ensure safe, trouble-free performance. Function, material compatibility, adequate ratings, proper installation, operation, and maintenance are the responsibilities of the system designer and user. Caution: Do not mix or interchange valve components with those of other manufacturers.