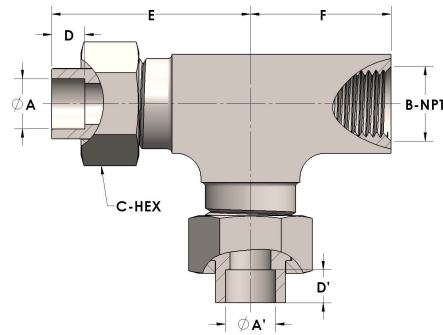


Product Category

H814-06-04-06-M

Part Description

Tube to Female Pipe Thread Run Tee Assembly



## DIMENSIONS

|       |           |
|-------|-----------|
| A     | 0.380     |
| A'    | 0.380     |
| B-NPT | 1/4" - 18 |
| C-HEX | 0.81      |
| D     | 0.250     |
| D'    | 0.250     |
| E     | 1.50      |
| F     | 1.06      |

## GENERAL

|                      |  |
|----------------------|--|
| Pressure Rating      | 4500 PSI   |
| Tailpiece Material   | Monel®, ASTM B164, UNS N04405                      |
| Threadpiece Material | Monel®, ASTM B564, UNS N04400                      |
| O-Ring Material      | Viton® Fluorocarbon Type 1, Class 2 (90 durometer) |
| Connection 1 Type    | Female Tube Socket                                 |
| Connection 1 Size    | 3/8" Tube O.D. (-06)                               |
| Connection 3 Type    | Female Tube Socket                                 |
| Connection 3 Size    | 3/8" Tube O.D. (-06)                               |