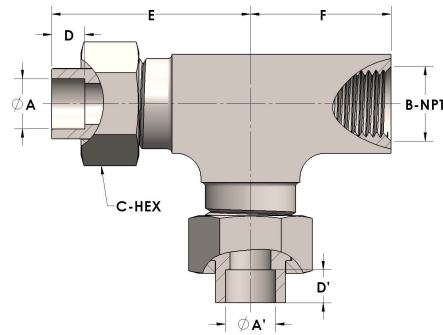


Product Category

H814-20-16-20-SS316L

Part Description

Tube to Female Pipe Thread Run Tee Assembly



DIMENSIONS

| | |
|-------|---------------|
| A | 1.250 |
| A' | 1.250 |
| B-NPT | 1.000" - 11.5 |
| C-HEX | 2 |
| D | 0.560 |
| D' | 0.560 |
| E | 3.06 |
| F | 2.19 |

GENERAL

| | |
|-------------------|--|
| Pressure Rating | 3000 PSI |
| Assembly Material | 316/L Stainless Steel, ASTM A276, UNS S31600/03 |
| O-Ring Material | Viton® Fluorocarbon Type 1, Class 2 (90 durometer) |
| Connection 1 Type | Female Tube Socket |
| Connection 1 Size | 1.25" Tube O.D. (-20) |
| Connection 3 Type | Female Tube Socket |
| Connection 3 Size | 1.25" Tube O.D. (-20) |