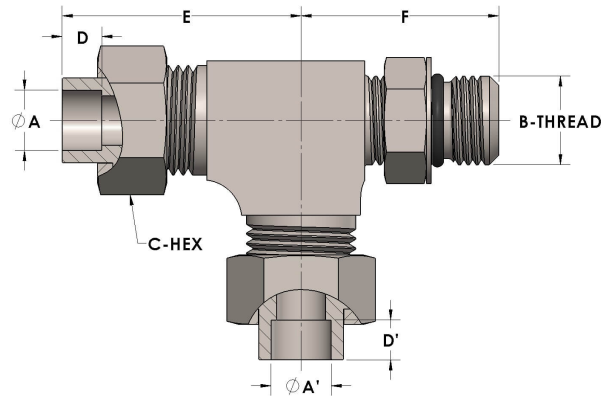




**Product Category**  
**Part Description**

H816-08-08-08-SS316L  
Tube to Male Straight Thread Run Tee Assembly



## DIMENSIONS

A	0.500
A"	0.500
B-THREAD	.750" - 16UNF
C-HEX	0.94
D	0.310
D"	0.310
E	1.69
F	1.44

## GENERAL

Pressure Rating	4500 PSI
Assembly Material	316/L Stainless Steel, ASTM A276, UNS S31600/03
O-Ring Material	Viton® Fluorocarbon Type 1, Class 2 (90 durometer)
Connection 1 Type	Female Tube Socket
Connection 1 Size	1/2" Tube O.D. (-08)
Connection 3 Type	Female Tube Socket
Connection 3 Size	1/2" Tube O.D. (-08)

The complete catalog contents must be reviewed to ensure that the system designer and user make a safe product selection. When selecting products, the total system design must be considered to ensure safe, trouble-free performance. Function, material compatibility, adequate ratings, proper installation, operation, and maintenance are the responsibilities of the system designer and user. Caution: Do not mix or interchange valve components with those of other manufacturers.