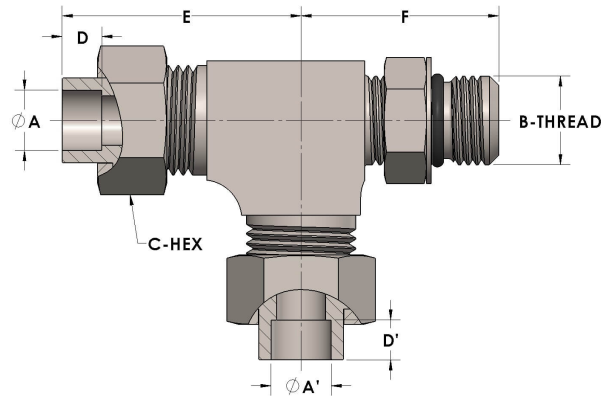




Product Category  
Part Description

H816-16-16-16-M  
Tube to Male Straight Thread Run Tee Assembly



## DIMENSIONS

|          |               |
|----------|---------------|
| A        | 1.000         |
| A"       | 1.000         |
| B-THREAD | 1.313" - 12UN |
| C-HEX    | 1.63          |
| D        | 0.500         |
| D"       | 0.500         |
| E        | 2.75          |
| F        | 2.06          |

## GENERAL

|                      |  |
|----------------------|--|
| Pressure Rating      | 4500 PSI   |
| Tailpiece Material   | Monel®, ASTM B164, UNS N04405                      |
| Threadpiece Material | Monel®, ASTM B564, UNS N04400                      |
| O-Ring Material      | Viton® Fluorocarbon Type 1, Class 2 (90 durometer) |
| Connection 1 Type    | Female Tube Socket                                 |
| Connection 1 Size    | 1" Tube O.D. (-16)                                 |
| Connection 3 Type    | Female Tube Socket                                 |
| Connection 3 Size    | 1" Tube O.D. (-16)                                 |

The complete catalog contents must be reviewed to ensure that the system designer and user make a safe product selection. When selecting products, the total system design must be considered to ensure safe, trouble-free performance. Function, material compatibility, adequate ratings, proper installation, operation, and maintenance are the responsibilities of the system designer and user. Caution: Do not mix or interchange valve components with those of other manufacturers.