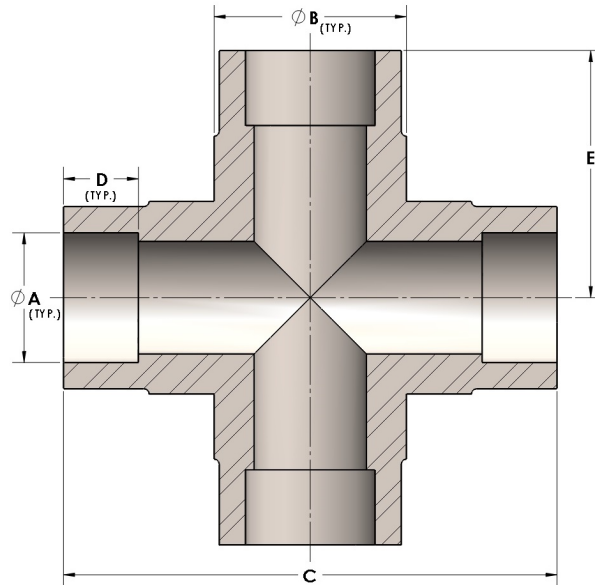




Product Category
Part Description

H819-24-SS316L
Direct Socketweld/Braze Cross (Tube)



DIMENSIONS

A	1.500
B	1.88
C	4.38
D	0.630
E	2.19
F	3.13

GENERAL

Pressure Rating	3000 PSI
Fitting Material	316/L Stainless Steel, ASTM A276, UNS S31600/03

The complete catalog contents must be reviewed to ensure that the system designer and user make a safe product selection. When selecting products, the total system design must be considered to ensure safe, trouble-free performance. Function, material compatibility, adequate ratings, proper installation, operation, and maintenance are the responsibilities of the system designer and user. Caution: Do not mix or interchange valve components with those of other manufacturers.