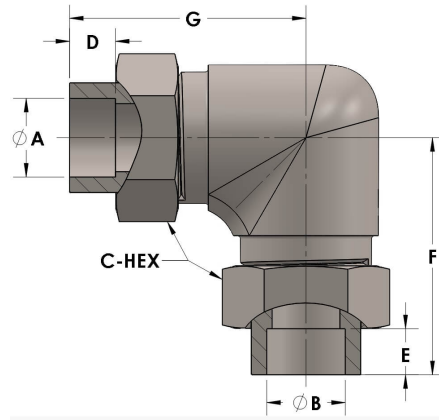


Product Category

H820-04-02-M

Part Description

Socketweld/braze Tube Elbow Assembly



DIMENSIONS

A	0.250
B	0.13
C-HEX	0.63
D	0.190
E	0.19
F	1.19
G	1.19

GENERAL

Pressure Rating	6000 PSI
Tailpiece Material	Monel®, ASTM B164, UNS N04405
Threadpiece Material	Monel®, ASTM B564, UNS N04400
O-Ring Material	Viton® Fluorocarbon Type 1, Class 2 (90 durometer)
Connection 1 Type	Female Tube Socket
Connection 1 Size	1/40 Tube O.D. (-04)
Connection 2 Type	Female Tube Socket
Connection 2 Size	1/80 Tube O.D. (-02)