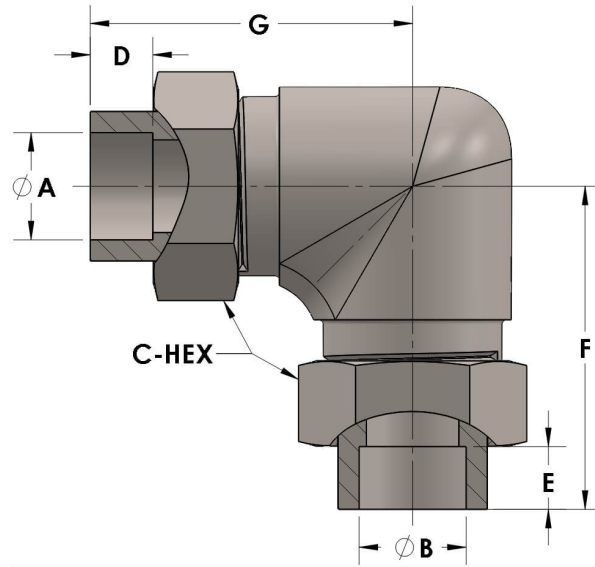




Product Category
Part Description

H820-06-SS316L
Socketweld/braze Tube Elbow Assembly



DIMENSIONS

| | |
|-------|-------|
| A | 0.380 |
| B | 0.38 |
| C-HEX | 0.81 |
| D | 0.250 |
| E | 0.25 |
| F | 1.50 |
| G | 1.5 |

GENERAL

| | |
|-------------------|--|
| Pressure Rating | 6000 PSI |
| Assembly Material | 316/L Stainless Steel, ASTM A276, UNS S31600/03 |
| O-Ring Material | Viton® Fluorocarbon Type 1, Class 2 (90 durometer) |
| Connection 1 Type | Female Tube Socket |
| Connection 1 Size | 3/8" Tube O.D. (-06) |
| Connection 2 Type | Female Tube Socket |

The complete catalog contents must be reviewed to ensure that the system designer and user make a safe product selection. When selecting products, the total system design must be considered to ensure safe, trouble-free performance. Function, material compatibility, adequate ratings, proper installation, operation, and maintenance are the responsibilities of the system designer and user. Caution: Do not mix or interchange valve components with those of other manufacturers.