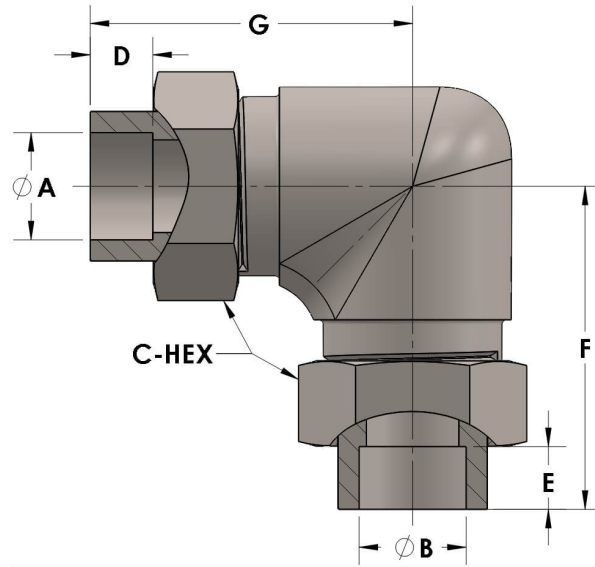




**Product Category**  
**Part Description**

H820-16-12-SS316L  
Socketweld/braze Tube Elbow Assembly



## DIMENSIONS

A	1.000
B	0.75
C-HEX	1.63
D	0.500
E	0.44
F	2.69
G	2.75

## GENERAL

<b>Pressure Rating</b>	4500 PSI
<b>Assembly Material</b>	316/L Stainless Steel, ASTM A276, UNS S31600/03
<b>O-Ring Material</b>	Viton® Fluorocarbon Type 1, Class 2 (90 durometer)
<b>Connection 1 Type</b>	Female Tube Socket
<b>Connection 1 Size</b>	1" Tube O.D. (-16)
<b>Connection 2 Type</b>	Female Tube Socket

The complete catalog contents must be reviewed to ensure that the system designer and user make a safe product selection. When selecting products, the total system design must be considered to ensure safe, trouble-free performance. Function, material compatibility, adequate ratings, proper installation, operation, and maintenance are the responsibilities of the system designer and user. Caution: Do not mix or interchange valve components with those of other manufacturers.