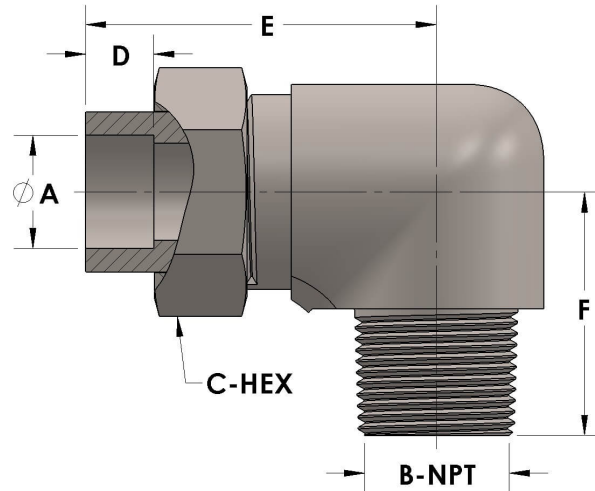




Product Category  
Part Description

H821-08-08-M  
Tube to Male Pipe Thread Elbow Assembly



## DIMENSIONS

|       |           |
|-------|-----------|
| A     | 0.500     |
| B-NPT | 1/2" - 14 |
| C-HEX | 0.94      |
| D     | 0.310     |
| E     | 1.69      |
| F     | 1.44      |

## GENERAL

|                      |  |
|----------------------|--|
| Pressure Rating      | 6000 PSI   |
| Tailpiece Material   | Monel®, ASTM B164, UNS N04405                      |
| Threadpiece Material | Monel®, ASTM B564, UNS N04400                      |
| O-Ring Material      | Viton® Fluorocarbon Type 1, Class 2 (90 durometer) |
| Connection 1 Type    | Female Tube Socket                                 |
| Connection 1 Size    | 1/2" Tube O.D. (-08)                               |
| Connection 2 Type    | Male Pipe Thread                                   |
| Connection 2 Size    | 1/2" NPT (-08)                                     |

The complete catalog contents must be reviewed to ensure that the system designer and user make a safe product selection. When selecting products, the total system design must be considered to ensure safe, trouble-free performance. Function, material compatibility, adequate ratings, proper installation, operation, and maintenance are the responsibilities of the system designer and user. Caution: Do not mix or interchange valve components with those of other manufacturers.