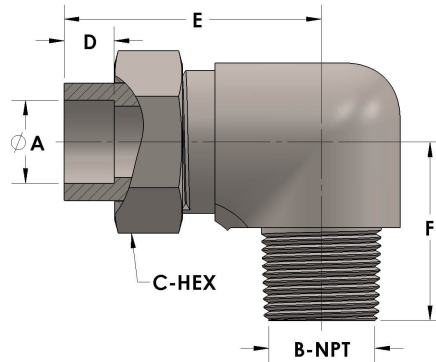


Product Category

H821-24-32-S

Part Description

Tube to Male Pipe Thread Elbow Assembly



## DIMENSIONS

A	1.500
B-NPT	2.500" - 8
C-HEX	3.25
D	0.630
E	3.06
F	2.69

## GENERAL

Pressure Rating	3000 PSI
Assembly Material	Carbon Steel, ASTM A108
O-Ring Material	Viton® Fluorocarbon Type 1, Class 2 (90 durometer)
Connection 1 Type	Female Tube Socket
Connection 1 Size	1.50" Tube O.D. (-24)
Connection 2 Type	Male Pipe Thread
Connection 2 Size	2.50" NPT (-32)