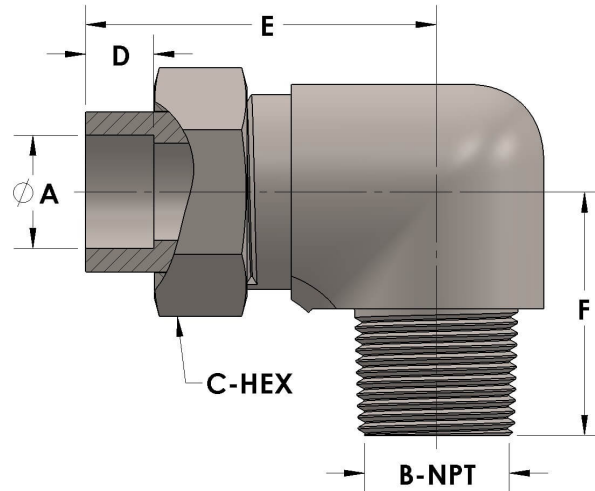




Product Category
Part Description

H821-24-32-SS316L
Tube to Male Pipe Thread Elbow Assembly



DIMENSIONS

A	1.500
B-NPT	2.500" - 8
C-HEX	3.25
D	0.630
E	3.06
F	2.69

GENERAL

Pressure Rating	4500 PSI
Assembly Material	316/L Stainless Steel, ASTM A276, UNS S31600/03
O-Ring Material	Viton® Fluorocarbon Type 1, Class 2 (90 durometer)
Connection 1 Type	Female Tube Socket
Connection 1 Size	1.50" Tube O.D. (-24)
Connection 2 Type	Male Pipe Thread
Connection 2 Size	2.50" NPT (-32)

The complete catalog contents must be reviewed to ensure that the system designer and user make a safe product selection. When selecting products, the total system design must be considered to ensure safe, trouble-free performance. Function, material compatibility, adequate ratings, proper installation, operation, and maintenance are the responsibilities of the system designer and user. Caution: Do not mix or interchange valve components with those of other manufacturers.