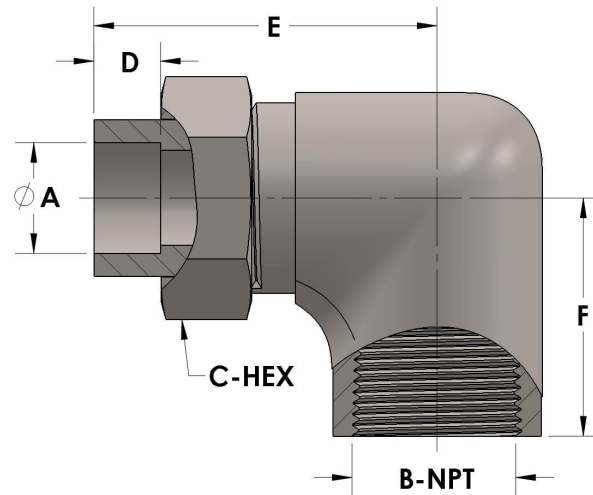




Product Category
Part Description

H822-04-04-SS316L
Tube to Female Pipe Thread Elbow Assembly



DIMENSIONS

A	0.250
B-NPT	1/4" - 18
C-HEX	0.81
D	0.190
E	1.44
F	1.06

GENERAL

Pressure Rating	6000 PSI
Assembly Material	Carbon Steel, ASTM A36/311, UNS K02600/G10180
O-Ring Material	Viton® Fluorocarbon Type 1, Class 2 (90 durometer)
Connection 1 Type	Female Tube Socket
Connection 1 Size	1/4" Tube O.D. (-04)
Connection 2 Type	Female Pipe Thread
Connection 2 Size	1/4" NPT (-04)

The complete catalog contents must be reviewed to ensure that the system designer and user make a safe product selection. When selecting products, the total system design must be considered to ensure safe, trouble-free performance. Function, material compatibility, adequate ratings, proper installation, operation, and maintenance are the responsibilities of the system designer and user. Caution: Do not mix or interchange valve components with those of other manufacturers.