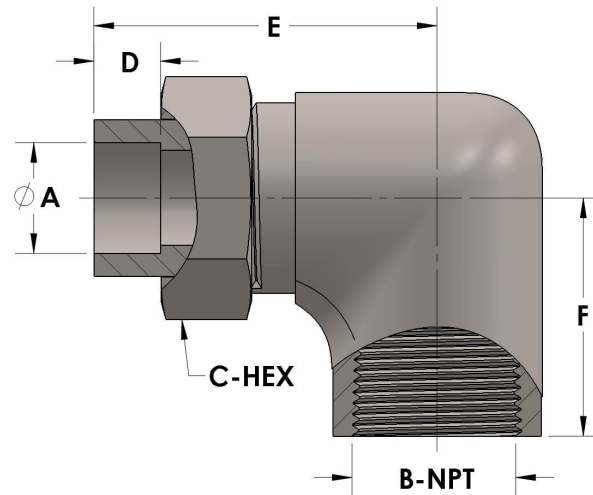




**Product Category**  
**Part Description**

H822-12-16-SS316L  
Tube to Female Pipe Thread Elbow Assembly



## DIMENSIONS

A	0.750
B-NPT	1.000" - 11.5
C-HEX	1.38
D	0.440
E	2.94
F	2.19

## GENERAL

Pressure Rating	6000 PSI
Assembly Material	316/L Stainless Steel, ASTM A276, UNS S31600/03
O-Ring Material	Viton® Fluorocarbon Type 1, Class 2 (90 durometer)
Connection 1 Type	Female Tube Socket
Connection 1 Size	3/4" Tube O.D. (-12)
Connection 2 Type	Female Pipe Thread
Connection 2 Size	1" NPT (-16)

The complete catalog contents must be reviewed to ensure that the system designer and user make a safe product selection. When selecting products, the total system design must be considered to ensure safe, trouble-free performance. Function, material compatibility, adequate ratings, proper installation, operation, and maintenance are the responsibilities of the system designer and user. Caution: Do not mix or interchange valve components with those of other manufacturers.