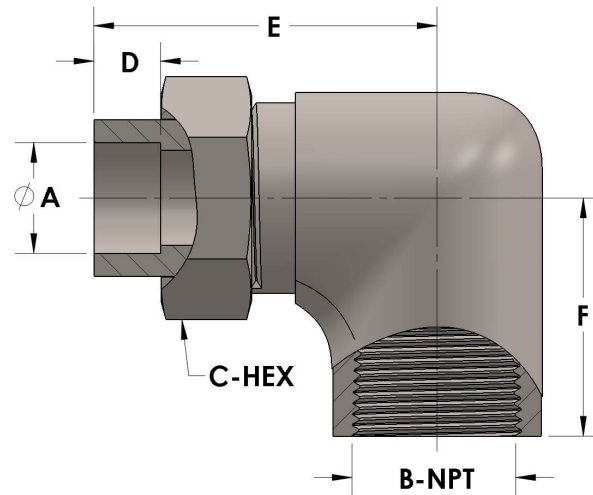




Product Category
Part Description

H822-20-16-S
Tube to Female Pipe Thread Elbow Assembly



DIMENSIONS

A	1.250
B-NPT	1.000" - 11.5
C-HEX	2
D	0.560
E	3.06
F	2.19

GENERAL

Pressure Rating	3000 PSI
Assembly Material	Carbon Steel, ASTM A108
O-Ring Material	Viton® Fluorocarbon Type 1, Class 2 (90 durometer)
Connection 1 Type	Female Tube Socket
Connection 1 Size	1.25" Tube O.D. (-20)
Connection 2 Type	Female Pipe Thread
Connection 2 Size	1" NPT (-16)

The complete catalog contents must be reviewed to ensure that the system designer and user make a safe product selection. When selecting products, the total system design must be considered to ensure safe, trouble-free performance. Function, material compatibility, adequate ratings, proper installation, operation, and maintenance are the responsibilities of the system designer and user. Caution: Do not mix or interchange valve components with those of other manufacturers.