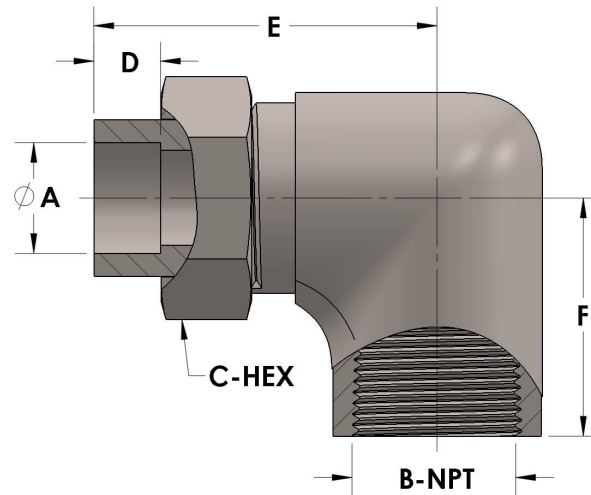




Product Category
Part Description

H822-24-24-SS316L
Tube to Female Pipe Thread Elbow Assembly



DIMENSIONS

| | |
|-------|---------------|
| A | 1.500 |
| B-NPT | 1.500" - 11.5 |
| C-HEX | 2.38 |
| D | 0.630 |
| E | 3.31 |
| F | 2.38 |

GENERAL

| | |
|-------------------|--|
| Pressure Rating | 3000 PSI |
| Assembly Material | 316/L Stainless Steel, ASTM A276, UNS S31600/03 |
| O-Ring Material | Viton® Fluorocarbon Type 1, Class 2 (90 durometer) |
| Connection 1 Type | Female Tube Socket |
| Connection 1 Size | 1.50" Tube O.D. (-24) |
| Connection 2 Type | Female Pipe Thread |
| Connection 2 Size | 1.50" NPT (-24) |

The complete catalog contents must be reviewed to ensure that the system designer and user make a safe product selection. When selecting products, the total system design must be considered to ensure safe, trouble-free performance. Function, material compatibility, adequate ratings, proper installation, operation, and maintenance are the responsibilities of the system designer and user. Caution: Do not mix or interchange valve components with those of other manufacturers.