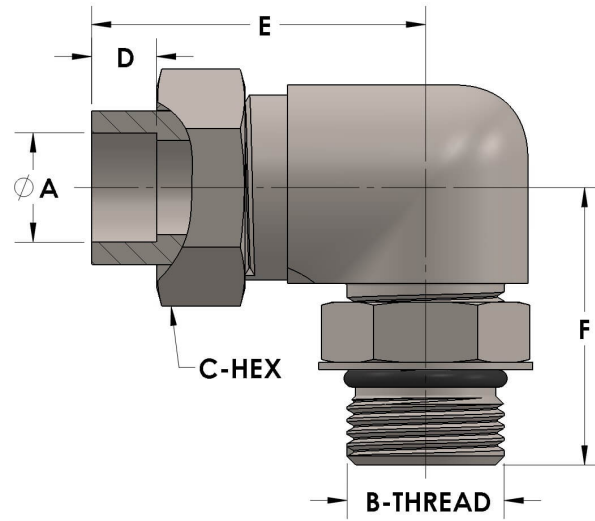




Product Category
Part Description

H823-16-16-SS316L
Tube to Male Straight Thread Elbow Assembly



DIMENSIONS

A	1.000
B-THREAD	1.313" - 12UN
C-HEX	1.63
D	0.500
E	2.75
F	2.06

GENERAL

Pressure Rating	4500 PSI
Assembly Material	316/L Stainless Steel, ASTM A276, UNS S31600/03
O-Ring Material	Viton® Fluorocarbon Type 1, Class 2 (90 durometer)
Connection 1 Type	Female Tube Socket
Connection 1 Size	1" Tube O.D. (-16)
Connection 2 Type	Male Straight Thread
Connection 2 Size	1.313" - 12UN (-16)

The complete catalog contents must be reviewed to ensure that the system designer and user make a safe product selection. When selecting products, the total system design must be considered to ensure safe, trouble-free performance. Function, material compatibility, adequate ratings, proper installation, operation, and maintenance are the responsibilities of the system designer and user. Caution: Do not mix or interchange valve components with those of other manufacturers.