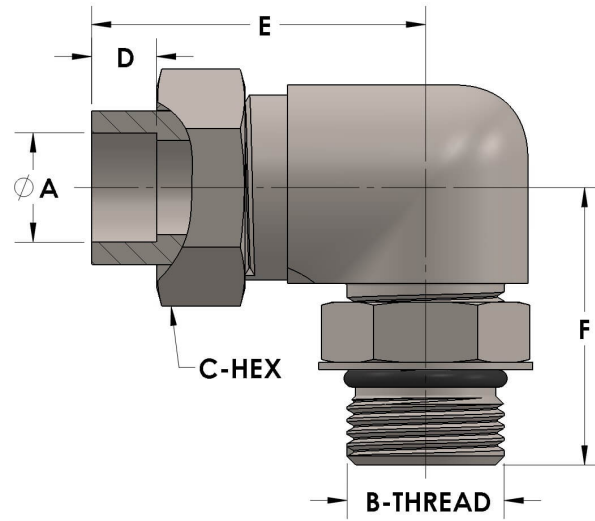




**Product Category**  
**Part Description**

H823-24-24-SS316L  
Tube to Male Straight Thread Elbow Assembly



## DIMENSIONS

A	1.500
B-THREAD	1.875" - 12UN
C-HEX	2.38
D	0.630
E	3.31
F	2.44

## GENERAL

Pressure Rating	3000 PSI
Assembly Material	316/L Stainless Steel, ASTM A276, UNS S31600/03
O-Ring Material	Viton® Fluorocarbon Type 1, Class 2 (90 durometer)
Connection 1 Type	Female Tube Socket
Connection 1 Size	1.50" Tube O.D. (-24)
Connection 2 Type	Male Straight Thread
Connection 2 Size	1.875" - 12UN (-24)

The complete catalog contents must be reviewed to ensure that the system designer and user make a safe product selection. When selecting products, the total system design must be considered to ensure safe, trouble-free performance. Function, material compatibility, adequate ratings, proper installation, operation, and maintenance are the responsibilities of the system designer and user. Caution: Do not mix or interchange valve components with those of other manufacturers.