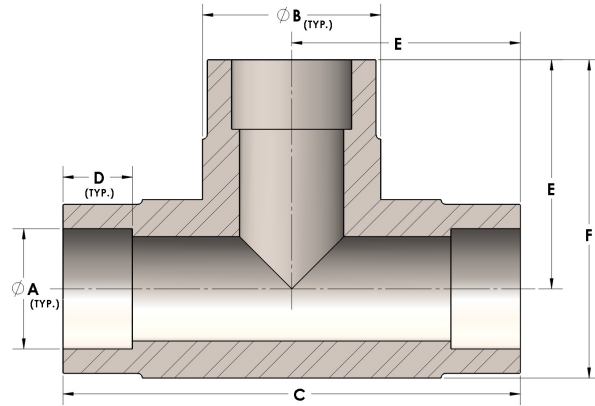




Product Category
Part Description

H830-04-CUNI
Direct Socketweld/Braze Tee (Tube)



DIMENSIONS

A	0.250
B	0.63
C	1.63
D	0.190
E	0.81
F	1.13

GENERAL

Pressure Rating	6000 PSI
Fitting Material	Copper Nickel 70/30, MIL-C--15726F, UNS C71500