

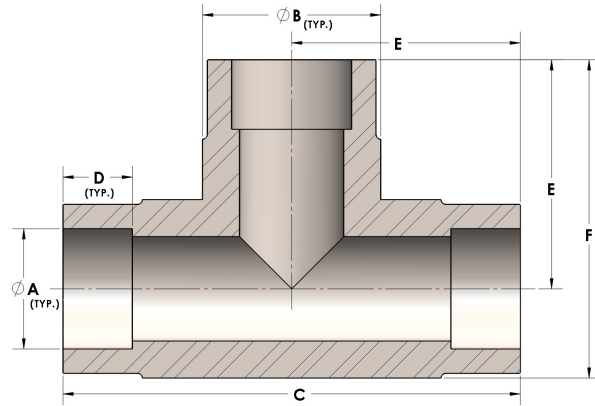


Product Category

Part Description

H830-08-S

Direct Socketweld/Braze Tee (Tube)



## DIMENSIONS

A	0.500
B	0.75
C	2.13
D	0.310
E	1.06
F	1.44

## GENERAL

Pressure Rating	4500 PSI
Fitting Material	Carbon Steel, ASTM A108

The complete catalog contents must be reviewed to ensure that the system designer and user make a safe product selection. When selecting products, the total system design must be considered to ensure safe, trouble-free performance. Function, material compatibility, adequate ratings, proper installation, operation, and maintenance are the responsibilities of the system designer and user. Caution: Do not mix or interchange valve components with those of other manufacturers.