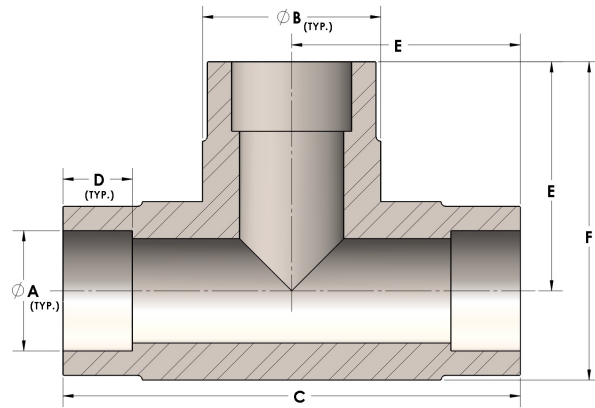




Product Category
Part Description

H830-08-SS316L
Direct Socketweld/Braze Tee (Tube)



DIMENSIONS

A	0.500
B	0.75
C	2.13
D	0.310
E	1.06
F	1.44

GENERAL

Pressure Rating	4500 PSI
Fitting Material	316/L Stainless Steel, ASTM A276, UNS S31600/03