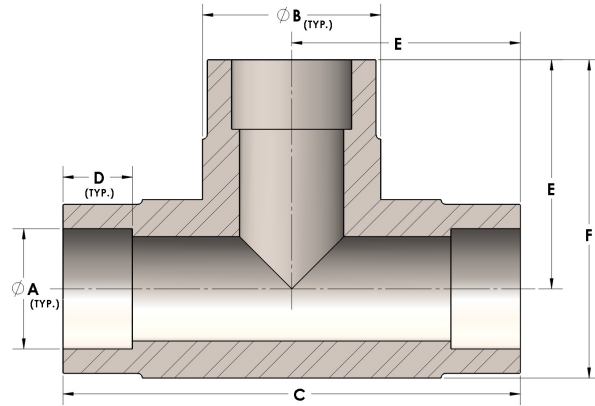




Product Category
Part Description

H830-16-CUNI
Direct Socketweld/Braze Tee (Tube)



DIMENSIONS

A	1.000
B	1.38
C	3.13
D	0.500
E	1.56
F	2.25

GENERAL

Pressure Rating	3000 PSI
Fitting Material	Copper Nickel 70/30, MIL-C--15726F, UNS C71500

The complete catalog contents must be reviewed to ensure that the system designer and user make a safe product selection. When selecting products, the total system design must be considered to ensure safe, trouble-free performance. Function, material compatibility, adequate ratings, proper installation, operation, and maintenance are the responsibilities of the system designer and user. Caution: Do not mix or interchange valve components with those of other manufacturers.