

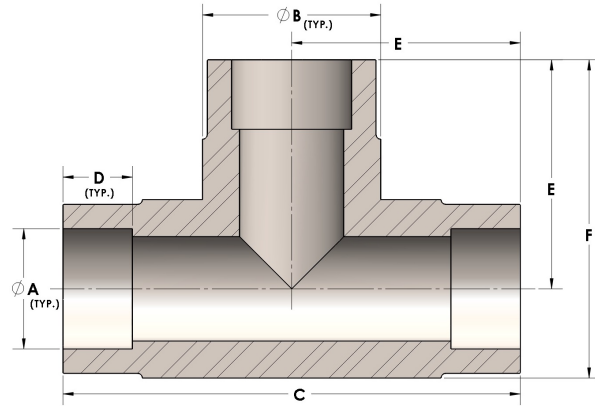


Product Category

Part Description

H830-24-M

Direct Socketweld/Braze Tee (Tube)



DIMENSIONS

A	1.500
B	1.88
C	4.38
D	0.630
E	2.19
F	3.13

GENERAL

Pressure Rating	4500 PSI
Fitting Material	Monel®, ASTM B164, UNS N04405