

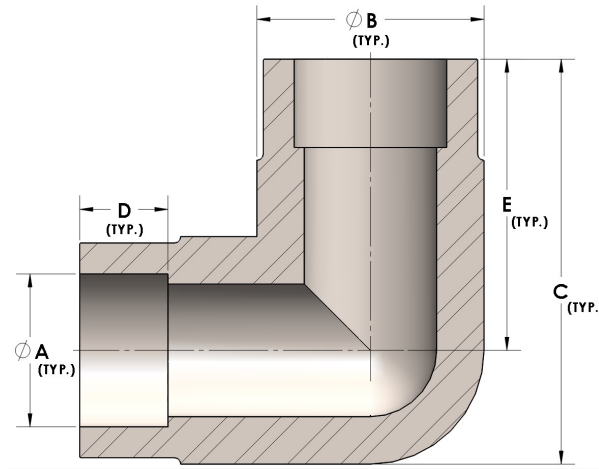


Product Category

H840-06-M

Part Description

Direct Socketweld/Braze 90° Elbow (Tube)



DIMENSIONS

A	0.380
B	0.63
C	1.13
D	0.250
E	0.81

GENERAL

Pressure Rating	4500 PSI
Fitting Material	Monel®, ASTM B164, UNS N04405

The complete catalog contents must be reviewed to ensure that the system designer and user make a safe product selection. When selecting products, the total system design must be considered to ensure safe, trouble-free performance. Function, material compatibility, adequate ratings, proper installation, operation, and maintenance are the responsibilities of the system designer and user. Caution: Do not mix or interchange valve components with those of other manufacturers.