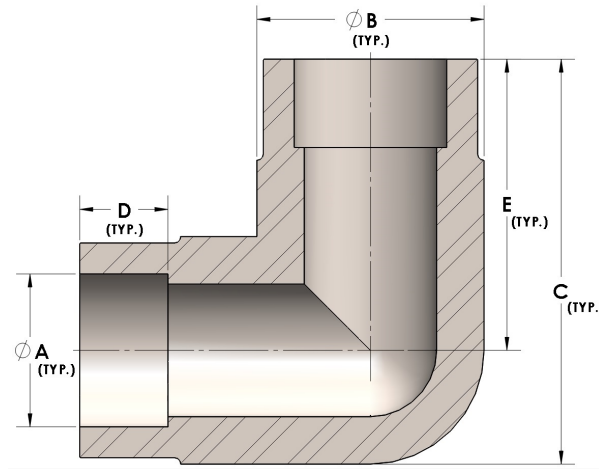




Product Category
Part Description

H840-06-SS316L
Direct Socketweld/Braze 90° Elbow (Tube)



DIMENSIONS

| | |
|---|-------|
| A | 0.380 |
| B | 0.63 |
| C | 1.13 |
| D | 0.250 |
| E | 0.81 |

GENERAL

| | |
|-------------------------|---|
| Pressure Rating | 6000 PSI |
| Fitting Material | 316/L Stainless Steel, ASTM A276, UNS S31600/03 |

The complete catalog contents must be reviewed to ensure that the system designer and user make a safe product selection. When selecting products, the total system design must be considered to ensure safe, trouble-free performance. Function, material compatibility, adequate ratings, proper installation, operation, and maintenance are the responsibilities of the system designer and user. Caution: Do not mix or interchange valve components with those of other manufacturers.