

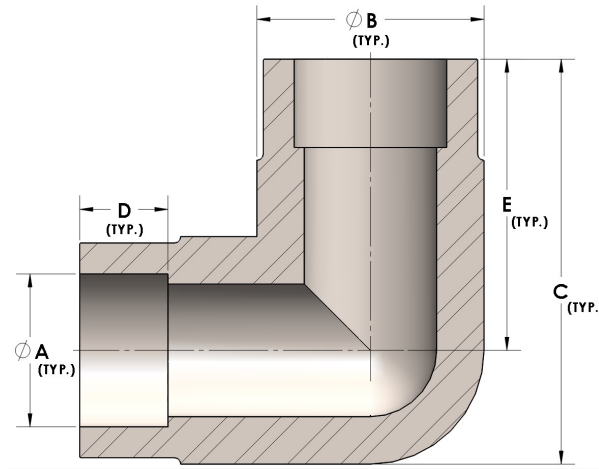


Product Category

H840-08-S

Part Description

Direct Socketweld/Braze 90° Elbow (Tube)



DIMENSIONS

A	0.500
B	0.75
C	1.44
D	0.310
E	1.06

GENERAL

Pressure Rating	6000 PSI
Fitting Material	Carbon Steel, ASTM A108

cpvmfg.com | 484.731.4010

The complete catalog contents must be reviewed to ensure that the system designer and user make a safe product selection. When selecting products, the total system design must be considered to ensure safe, trouble-free performance. Function, material compatibility, adequate ratings, proper installation, operation, and maintenance are the responsibilities of the system designer and user. Caution: Do not mix or interchange valve components with those of other manufacturers.