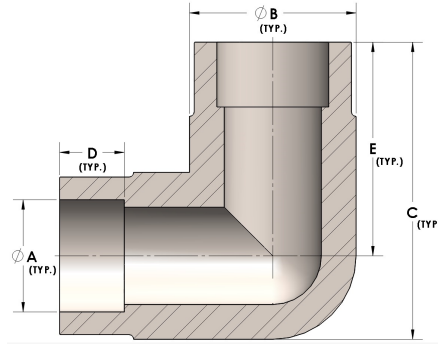


Product Category

H840-20-M

Part Description

Direct Socketweld/Braze 90° Elbow (Tube)



## DIMENSIONS

<b>A</b>	1.250
<b>B</b>	1.63
<b>C</b>	2.75
<b>D</b>	0.560
<b>E</b>	1.94

## GENERAL

<b>Pressure Rating</b>	3000 PSI
<b>Fitting Material</b>	Monel®, ASTM B164, UNS N04405