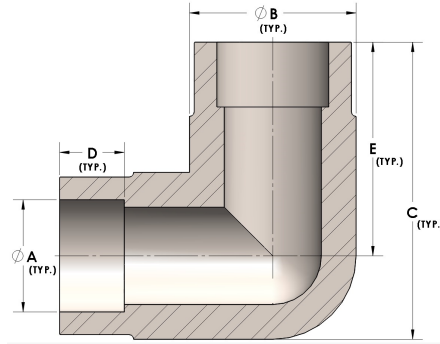


Product Category

H840-32-S

Part Description

Direct Socketweld/Braze 90° Elbow (Tube)



## DIMENSIONS

<b>A</b>	2.000
<b>B</b>	2.75
<b>C</b>	4.25
<b>D</b>	0.880
<b>E</b>	2.88

## GENERAL

<b>Pressure Rating</b>	4500 PSI
<b>Fitting Material</b>	Carbon Steel, ASTM A108