

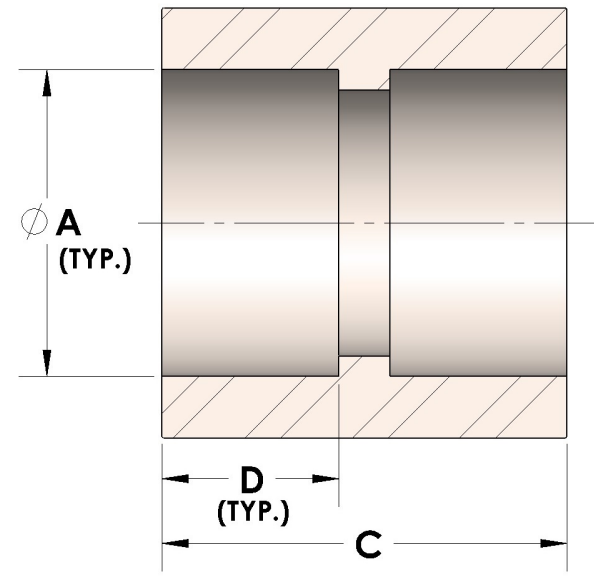


Product Category

Part Description

H847-06-BR

Direct Socketweld/Braze Coupling (Tube)



## DIMENSIONS

A	0.380
C	0.56
D	0.250

## GENERAL

Pressure Rating	4500 PSI
Fitting Material	Naval Brass, ASTM B21, UNS C46400

The complete catalog contents must be reviewed to ensure that the system designer and user make a safe product selection. When selecting products, the total system design must be considered to ensure safe, trouble-free performance. Function, material compatibility, adequate ratings, proper installation, operation, and maintenance are the responsibilities of the system designer and user. Caution: Do not mix or interchange valve components with those of other manufacturers.