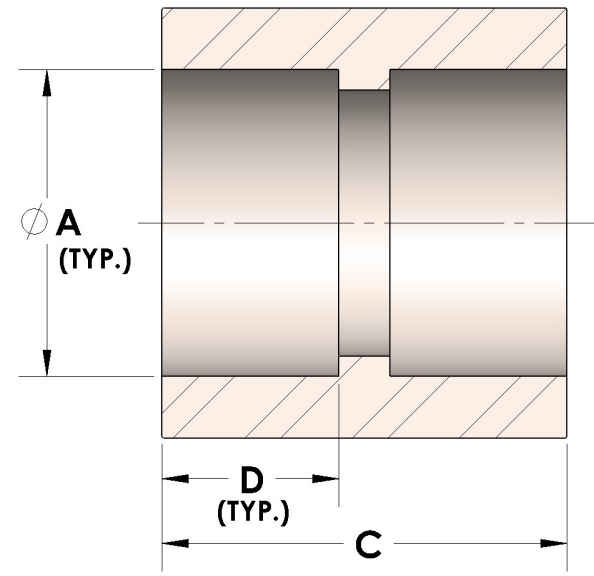




Product Category
Part Description

H847-08-BR
Direct Socketweld/Braze Coupling (Tube)



DIMENSIONS

A	0.500
C	0.69
D	0.310

GENERAL

Pressure Rating	3000 PSI
Fitting Material	Naval Brass, ASTM B21, UNS C46400