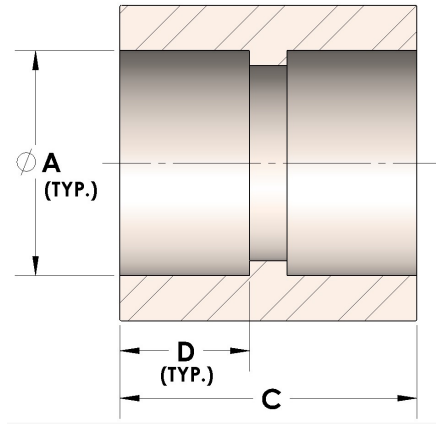


Product Category

H847-10-BR

Part Description

Direct Socketweld/Braze Coupling (Tube)



DIMENSIONS

| | |
|---|-------|
| A | 0.630 |
| C | 0.81 |
| D | 0.380 |

GENERAL

| | |
|------------------|-----------------------------------|
| Pressure Rating | 3000 PSI |
| Fitting Material | Naval Brass, ASTM B21, UNS C46400 |