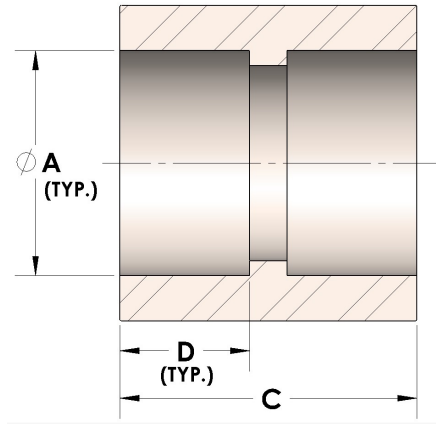


Product Category
Part Description

H847-16-S
Direct Socketweld/Braze Coupling (Tube)



DIMENSIONS

A	1.000
C	1.13
D	0.500

GENERAL

Pressure Rating	4500 PSI
Fitting Material	Carbon Steel, ASTM A108